

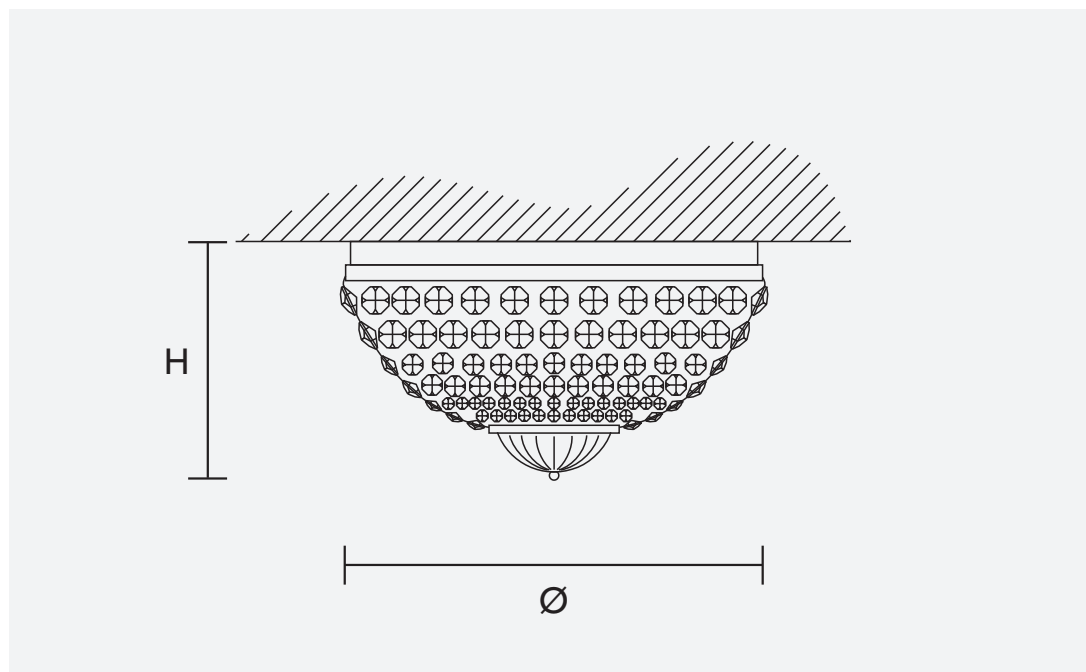
IMPERO-DECO VE 846 PL5

Design by: Studio Stile Masiero



Telaio in ottone dorato, pendagli in cristallo.


Solid Brass gold plated frame, crystal pendants.



H 30 cm
11.90"

Ø 40 cm
15.80"

Peso: 5 kg

 5 x E14 x 40W max
Incandescenza/Incandescent



MATERIALI MATERIALS

CUT CRYSTAL

Pendagli in cristallo trasparente molato.

Pendants in transparent cut crystal.

SWAROVSKI® ELEMENTS

Pendagli in cristallo trasparente SWAROVSKI® ELEMENTS.

Pendants in transparent SWAROVSKI® ELEMENTS crystal.

HALF CUT GLASS

Pendagli in vetro semi-molato.

Half cut glass pendants.

MASIERO