

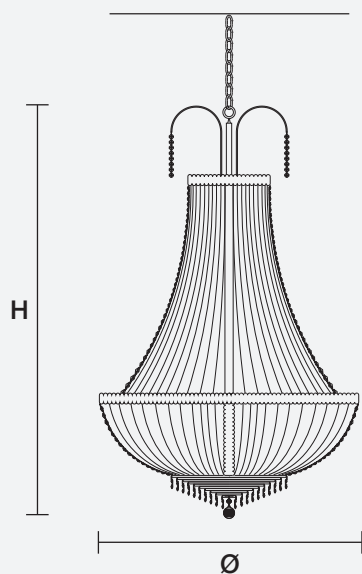
# IMPERO-DECO VE 832 12

Design by: Studio Stile Masiero



Telaio in ottone dorato, pendagli in cristallo.


Solid Brass gold plated frame, crystal pendants.



H 150 cm  
59.10"

Ø 100 cm  
39.40"

Peso: 20 kg

 12 x E14 x 40W max  
Incandescenza/Incandescent



## MATERIALI MATERIALS

### CUT CRYSTAL

Pendagli in cristallo trasparente molato.

Pendants in transparent cut crystal.

### SWAROVSKI® ELEMENTS

Pendagli in cristallo trasparente SWAROVSKI® ELEMENTS.

Pendants in transparent SWAROVSKI® ELEMENTS crystal.

### HALF CUT GLASS

Pendagli in vetro semi-molato.

Half cut glass pendants.