

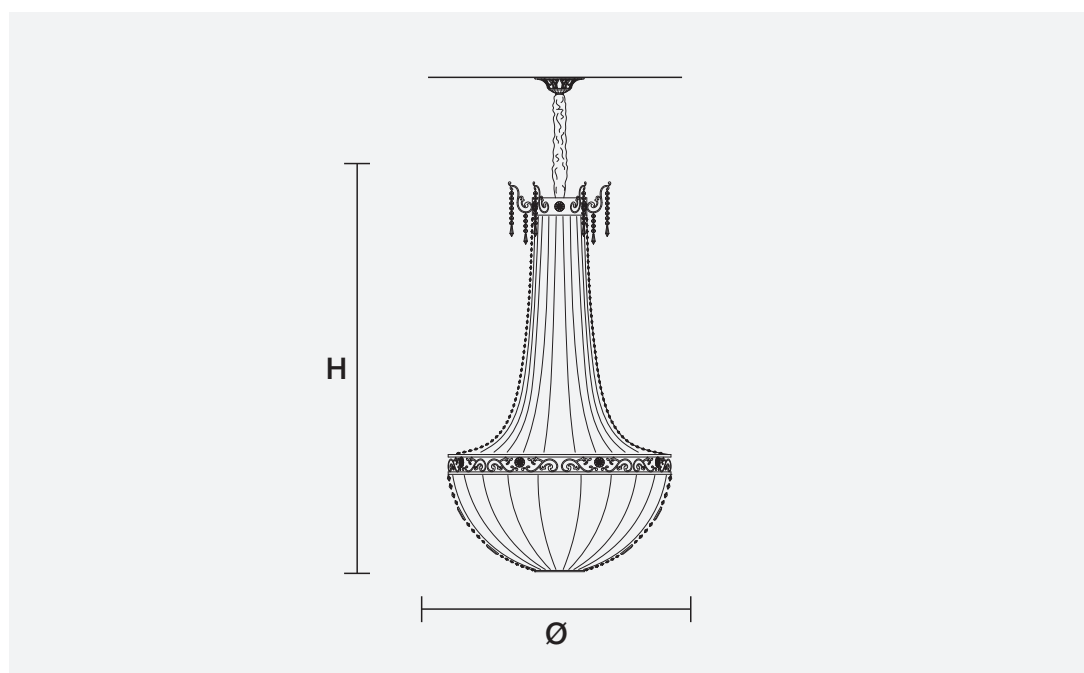
# IMPERO-DECO VE 823 20

Design by: Studio Stile Masiero



Telaio in ottone dorato, pendagli in cristallo.


Solid Brass gold plated frame, crystal pendants.



H 160 cm  
62.99"

Ø 90 cm  
35.43"

Peso: 33 kg

 20 x E27 x 60W max  
Incandescenza/Incandescent



## MATERIALI MATERIALS

### CUT CRYSTAL

Pendagli in cristallo trasparente molato.

Pendants in transparent cut crystal.

### SWAROVSKI® ELEMENTS

Pendagli in cristallo trasparente SWAROVSKI® ELEMENTS.

Pendants in transparent SWAROVSKI® ELEMENTS crystal.

### HALF CUT GLASS

Pendagli in vetro semi-molato.

Half cut glass pendants.

**MASIERO**