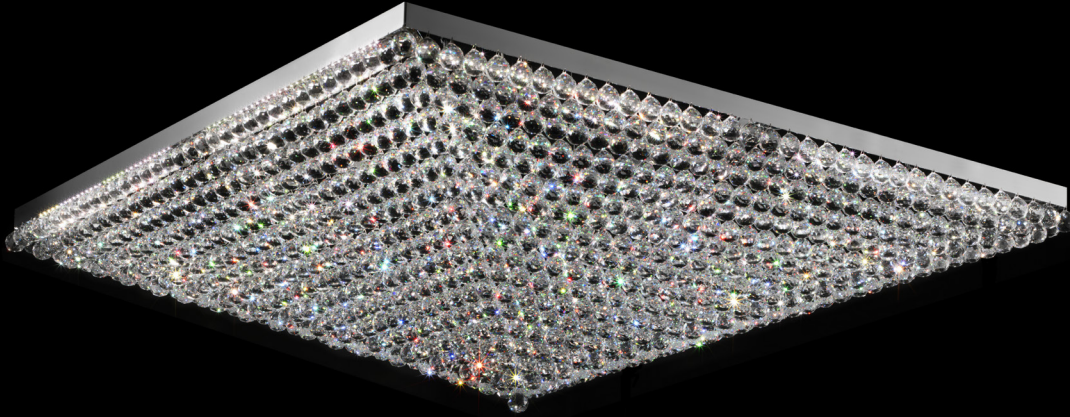


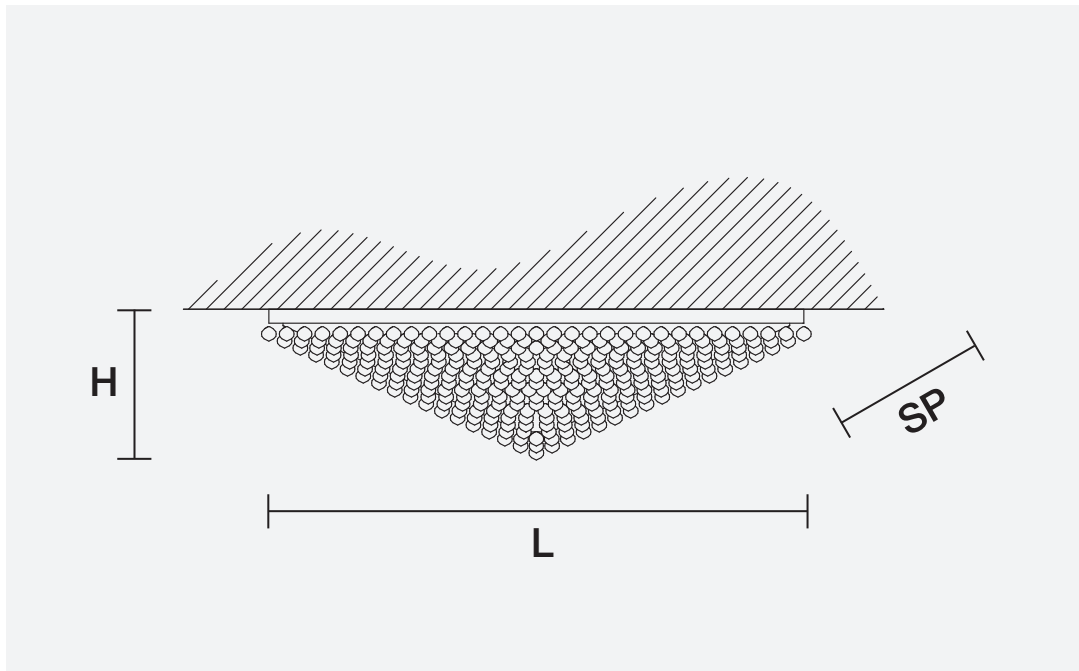
IMPERO-DECO VE 809 PL 48 INC

Design by: Studio Stile Masiero



Telaio in metallo cromato, pendagli in cristallo.

Chrome plated metal frame, crystal pendants.




H 40 cm
15.74"

Ø 160 cm
63.00"

SP 160 cm
63.00"

Peso: 180 kg

 48 x E27 x 60W max
Incandescenza/Incandescent



MATERIALI MATERIALS

CUT CRYSTAL

Pendagli in cristallo trasparente molato.

Pendants in transparent cut crystal.

SWAROVSKI® ELEMENTS

Pendagli in cristallo trasparente SWAROVSKI® ELEMENTS.

Pendants in transparent SWAROVSKI® ELEMENTS crystal.

HALF CUT GLASS

Pendagli in vetro semi-molato.

Half cut glass pendants.

MASIERO