

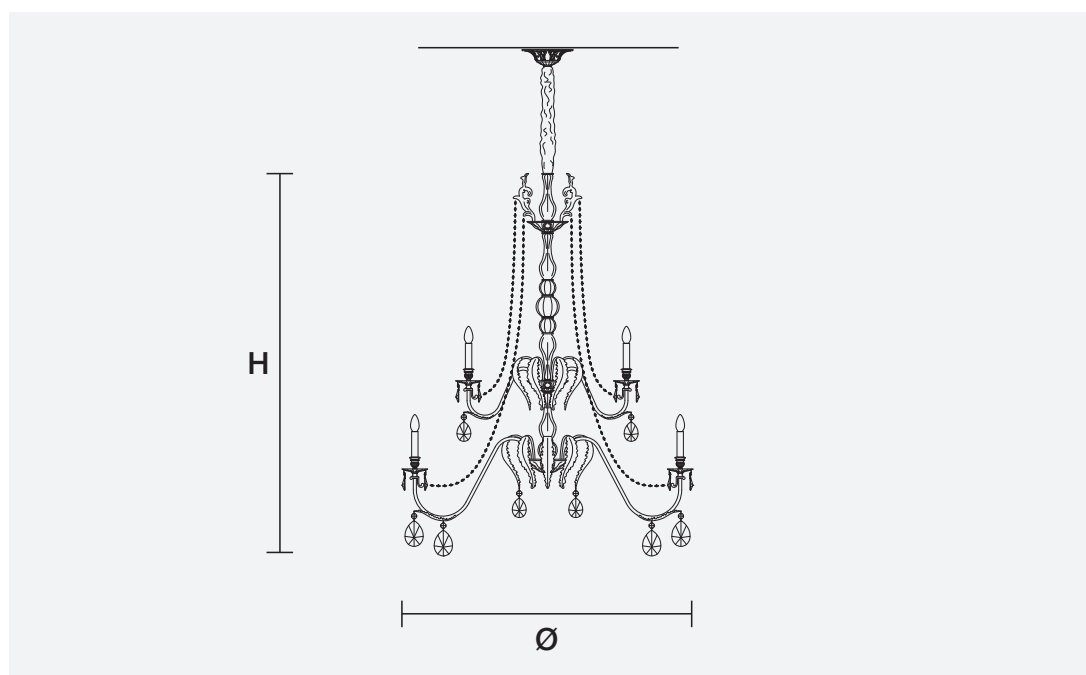
IMPERO-DECO VE 782 15

Design by: Studio Stile Masiero



Telaio in metallo dorato, pendagli in cristallo trasparente.


Gold plated metal frame, transparent crystal pendants.



H 150 cm
59.05"

Ø 120 cm
47.24"

Peso: 40 kg

 15 x E14 x 40W max
Incandescenza/Incandescent



MATERIALI MATERIALS

CUT CRYSTAL

Pendagli in cristallo trasparente molato.

Pendants in transparent cut crystal.

SWAROVSKI® ELEMENTS

Pendagli in cristallo trasparente SWAROVSKI® ELEMENTS.

Pendants in transparent SWAROVSKI® ELEMENTS crystal.

HALF CUT GLASS

Pendagli in vetro semi-molato.

Half cut glass pendants.