

CONE S2 40

Design by: Studio Stile Masiero



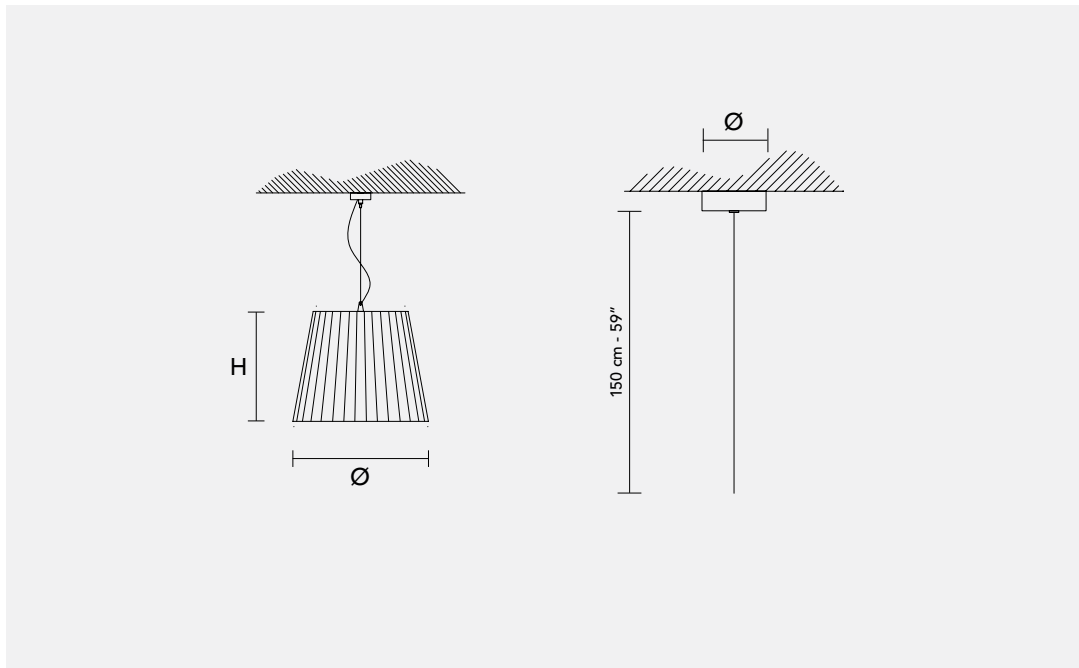
Strutture metalliche dalle molteplici forme sono elegantemente ricoperte da preziosi tessuti.

Different shaped, metallic structures are elegantly covered in precious fabrics.

Metallstrukturen in unterschiedlichsten Formen werden elegant von kostbaren Geweben überzogen.

Structures métalliques aux formes différentes recouvertes d'une façon élégante de précieux tissus.

Металлические каркасы разнообразных форм элегантно обтянуты дорогими тканями.





H 30 cm
11.90"

Ø 40 cm
15.80"

Peso: 00 kg **Imballo:** 00 m³
Weight: 00 lb **Packing:** 00 ft³

Rosone: Metallo verniciato Ø 8 cm
Canopy: Painted Metal Ø 3.14"

 2 x E27 x 60W max
Incandescenza
Incandescent

 2 x 23W max
Energy Saving

USA: 2 x E26 x 60W max

