

RAQAM R3

Composition

MASIERO

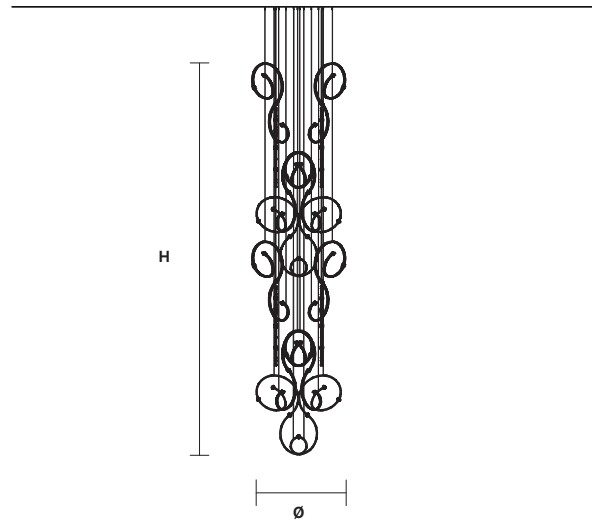
Design by: Marc Sadler

RAQAM R3 BASIC BATCH A - MODULO 1 X 16



Struttura in metallo ricoperto in vetro, illuminazione LED.

Metal frame covered with glass, LED lighting system.



TECHNICAL INFORMATION

Ø 125 cm / 49.21"
H 530 cm / 208.66"
W 52 kg / 114.64 lb

128 LED LIGHTS CRI>80
3000K - 192 W - 24960 Nominal lm

Dimmable PUSH or DMX on request.

Fixing:

16 x single steel cables.
8 x main power supply
(1 x driver + 1 x control board recessed)



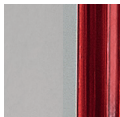
G03
Gold Frame
Transparent Glass



V32
Red Frame
Red Glass



G03
Gold Frame
Orange Glass



G04
Chrome Frame
Red Glass



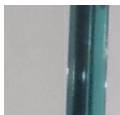
G14
Burnished brass
Transparent Glass



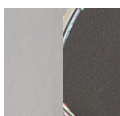
V61
Green frame
Green Glass



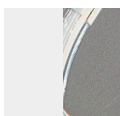
V82
Brown Frame
Orange Glass



G04
Chrome frame
Green Glass



G04
Chrome Frame
Transparent Glass



V95
White frame
Transparent Glass

Ⓜ : for the US market, refer to the relevant price list.

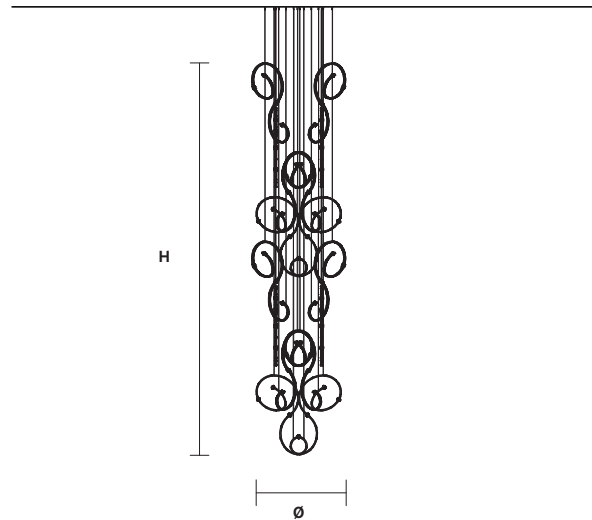
Design by: Marc Sadler

RAQAM R3 BASIC BATCH A - MODULO 1 X 16



Struttura in metallo ricoperto in vetro, illuminazione LED.

Metal frame covered with glass, LED lighting system.



TECHNICAL INFORMATION

Ø 125 cm / 49.21"
H 530 cm / 208.66"
W 52 kg / 114.64 lb

128 LED LIGHTS CRI>80
 3000K - 192 W - 24960 Nominal lm

Dimmable PUSH or DMX on request.

Fixing:

16 x single steel cables.
 8 x main power supply
 (1 x driver + 1 x control board recessed)



G03
 Gold Frame
 Transparent Glass



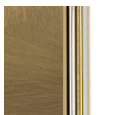
V32
 Red Frame
 Red Glass



G03
 Gold Frame
 Orange Glass



G04
 Chrome Frame
 Red Glass



G14
 Burnished brass
 Transparent Glass



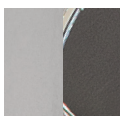
V61
 Green frame
 Green Glass



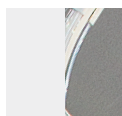
V82
 Brown Frame
 Orange Glass



G04
 Chrome frame
 Green Glass



G04
 Chrome Frame
 Transparent Glass



V95
 White frame
 Transparent Glass